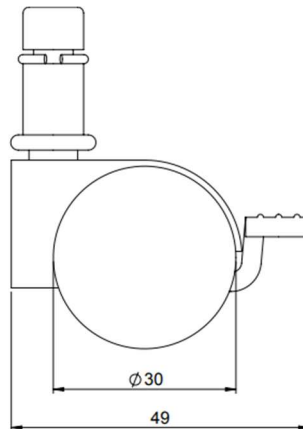
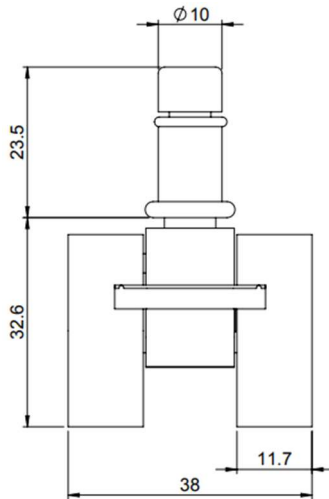
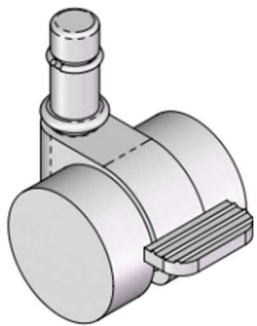


## 1RI-C3016BK-B

### Caster

- 30mm Black Caster with Brake
- Push & Threaded Stem both available.
- In Accordance with BIFMA standards.
- Custom Colour Available



### Technical Data

- Wheel Diameter: 30mm
- Hub Diameter: Flat
- Caster Width: 38mm
- Caster Height 38mm
- Push Stem: 7x28, 10x22
- Threaded Stem: M6x15, M8x15, M10x15
- Plate Stem: 28x28, 37x37
- Static Load: 40KG
- Dynamic Load: 30KG
- daN: 30
- Temp Resistant: 0°C - 70°C

